

Installers &
User guide
Deadbolt Go.
DBX 1, DBX2

Hi there!

We're so glad you've decided to join us on this journey to create a world without keys. You're officially an igloohomie!

In this guide, you'll find everything you need to get started with your lock. We hope that we've been as comprehensive and informative as possible. After all, we're here to make life easier for you (at least when it comes to your home's access).

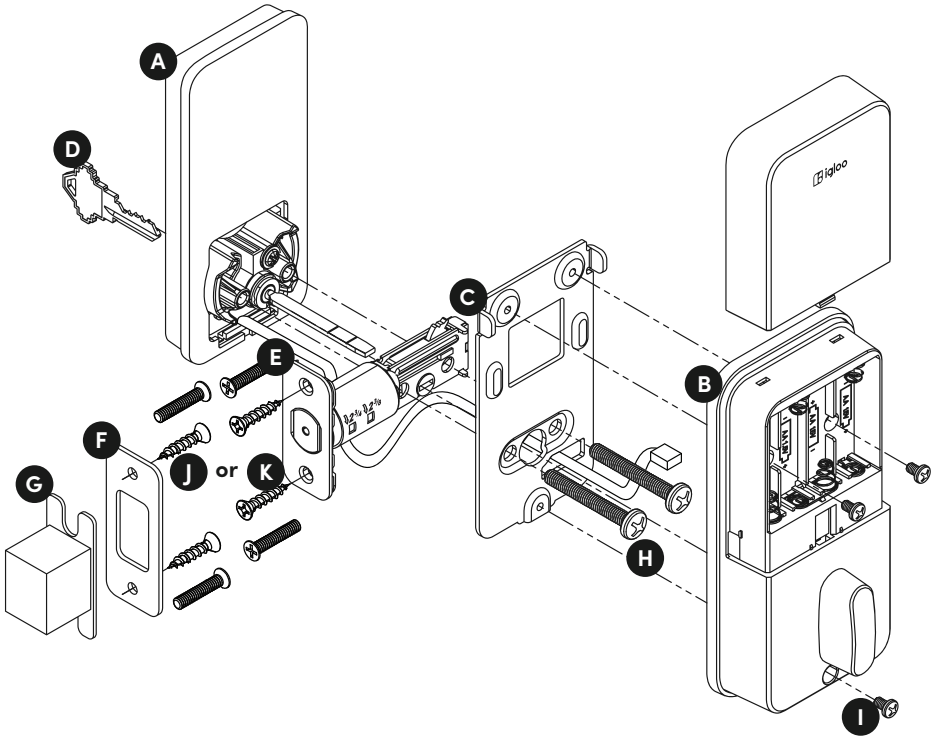
If you do not find what you're looking for, please reach out to us at support@igloohome.co because we love interacting with you!

We're always updating our guides because we want to keep things fresh! You can visit igloohome.co/support periodically to view the latest version.

Table of Contents

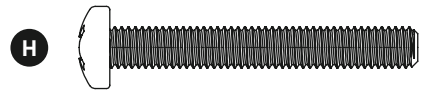
What's Included	4
Retrofit Installation Steps	6
New Installation Steps	9
Features	13
Lock indications (Audio and LED)	15
Troubleshoot	16

What's Included



- A** 1 x Keypad body
- B** 1 x Thumbturn body
- C** 1 x Mounting bracket
- D** 4 x Physical owner keys
- E** 1 x Deadbolt latch assembly
- F** 1 x Strike plate
- G** 1 x Dust box cover
- H** 2 x Large Screws
- I** 3 x Small Machine Screws
- J** 4 x Wood Door Screws
- K** 4 x Metal Door Screws

Screw Sizes



For wood.

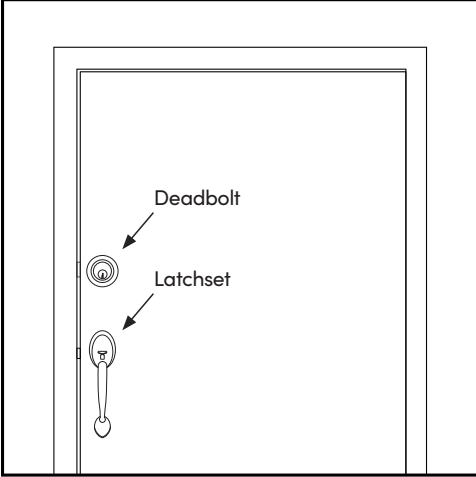


For metal.

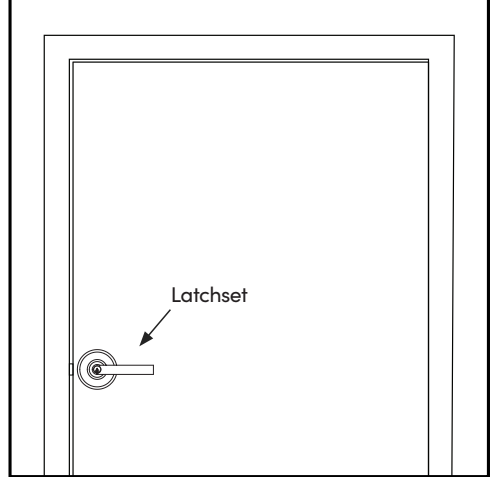
Hello!

Start here

If this is Retrofit then continue below:

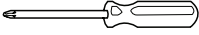


If this is a new installation then click [here](#):

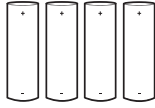


Retrofit Installation Steps

What you need:

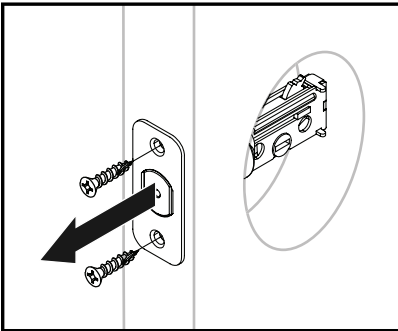


Phillips Screw Driver



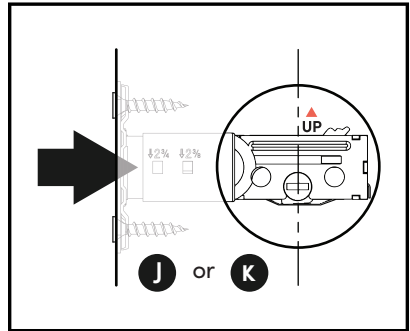
x4 AA Batteries

1 Remove Existing Deadbolt



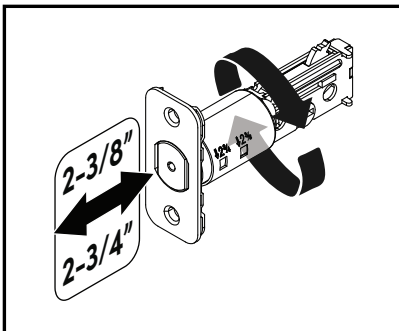
Remove existing deadbolt from your door.

2 Install Deadbolt Latch



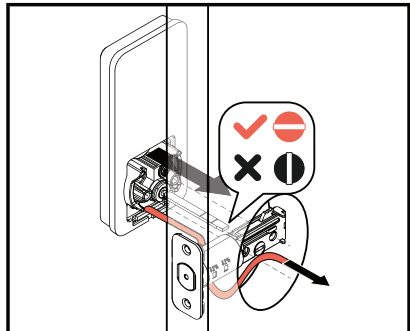
Install deadbolt latch into the door
Secure latch with 2x J or K screws, with "UP" towards top.

3 Set Latch backset and secure in door

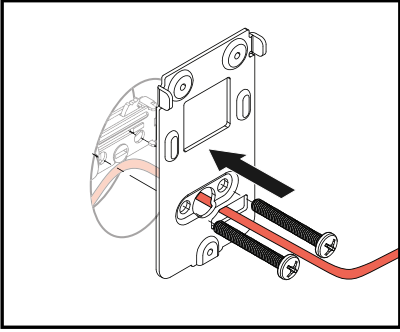


If required, increase the length of the deadbolt by twisting it before inserting into door.

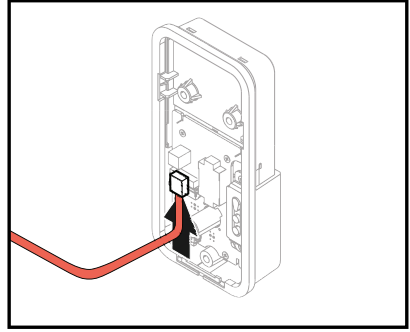
4 Assemble Keypad Body through latch



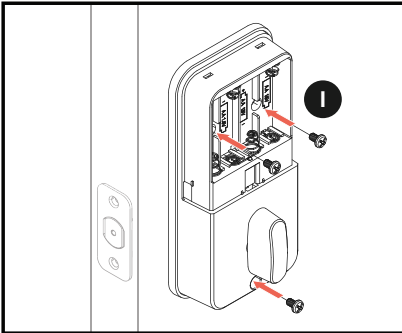
Assemble the keypad body. The tailpiece should be in the horizontal orientation.

5**Assemble Mounting Plate and secure**

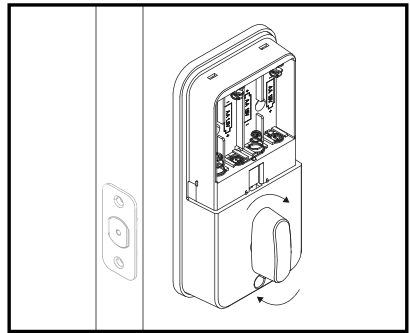
Insert cable through hole in the mounting plate. Fasten it to the keypad body with 2 x "H" screws.

6**Connect cable to Thumbturn Body**

Remove battery cover. Connect cable to thumbturn body.

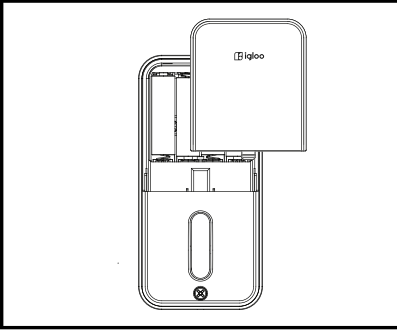
7**Fasten Thumbturn Body**

Fasten thumbturn body to mounting plate with the 3 x "I" screws and fold cable into empty space inside body.

8**Check thumbturn movement**

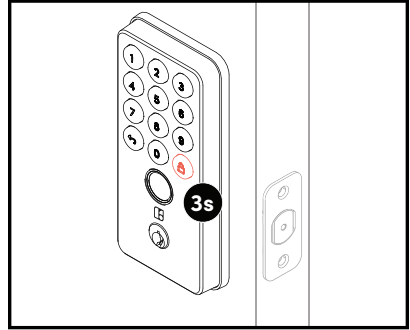
Rotating the thumbturn should lock & unlock the deadbolt with ease. Adjust/ Install the strike & dust box if needed.

9 Insert batteries



Insert 4 x AA batteries (not included) and replace the battery cover.

10 Auto-Calibrate Lock Handing



With latch retracted, long press unlock button (3s) to auto-calibrate. The lock will automatically adjust to either a Right or Left Hand door installation.

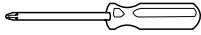
Installation Notes: Deadbolt should not be taking any pre-load from weather seals or door warpage. If it is, look to adjust the latchset strike so that latchset takes this pre-load instead. Additionally, it might be necessary to adjust the location of the Deadbolt Strike Plate. Check the deadbolt operation to confirm that motion is smooth with low resistance. Weather condition changes such as temperature and humidity, can affect an installation over time. In particular, wood doors may swell or contract, which might cause changes to the lock performance over the opening's life-span. Please re-check the installation periodically, with the door open and door closed, to check for a bind or misalignment of the deadbolt and strike.

Congratulations!

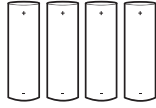
You have installed your lock. Download the igloohome application from the App Store or Google Play Store to complete setup & configure your smart lock.

New Installation Steps

What you need:



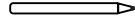
Phillips Screw Driver



x4 AA Batteries



Measuring Tape



Pencil



Electric or Cordless Drill



1/16" Drill Bit



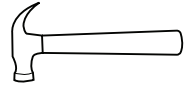
1" Hole Saw



2-1/8" Hole Saw



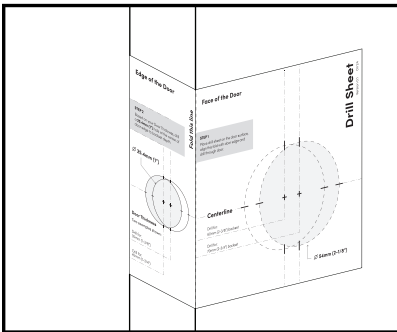
Wood Chisel



Hammer

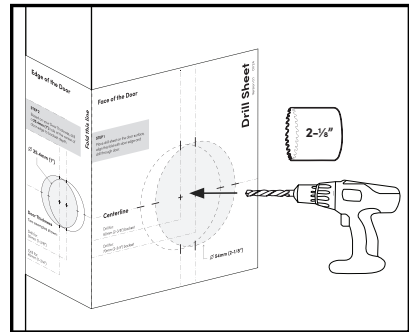
(or routing tool with 1/2" diameter bit)

1 Position Drill Sheet



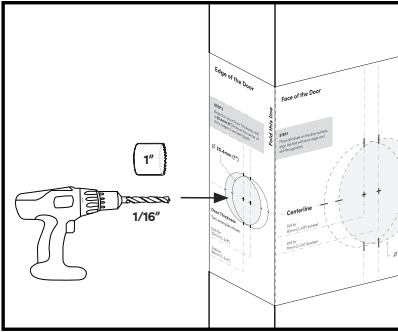
Fold the Drill Sheet and line up along the door edge with the text right-side up, noting that the sheet will be affixed to either the inside or outside door face, depending on your door handing. Typically, the deadbolt centerline will be installed at a distance of 5-1/2" above the centerline of the latchset. Tape the Drill Sheet into place.

2 Prep Door Face



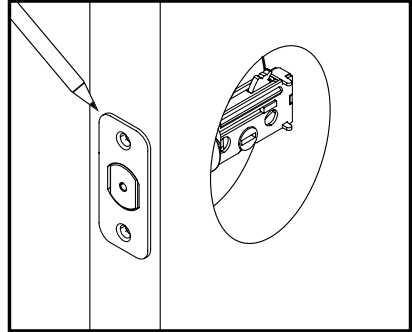
Selecting the backset that is preferable to you (we recommend using a backset which matches the knob or lever backset), use an electric drill with 2-1/8" hole saw to drill completely through the door. Be sure to hold the drill level and straight against the door face when drilling.

3 Prep Door Edge for Bolt



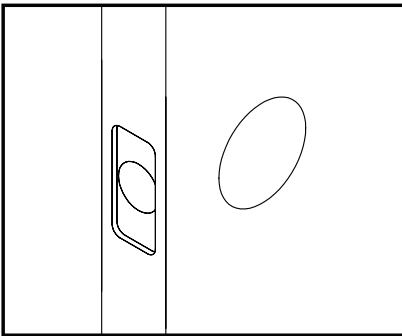
Now, select the 1" circle centerline shown on the sheet which is located at the center of the door edge. Note that for certain door thicknesses, it might be necessary to reposition the Drill Sheet. Use a 1/16" diameter drill bit to drill a pilot hole from the door edge until it breaks through to the door face thru-hole. Be sure to hold the drill level and straight against the door edge when drilling. Enlarge this hole using a 1" hole saw.

4 Mark Faceplate on Door Edge



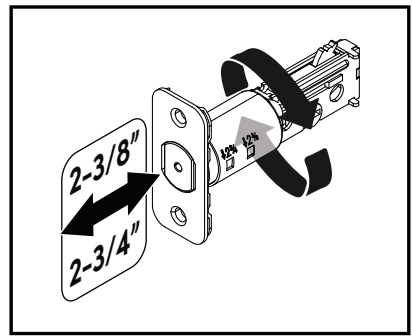
Insert the latchbolt assembly into the 1" hole, and use pencil to trace the outline of the deadbolt latch faceplate onto the door edge.

5 Prep Door Edge for Faceplate



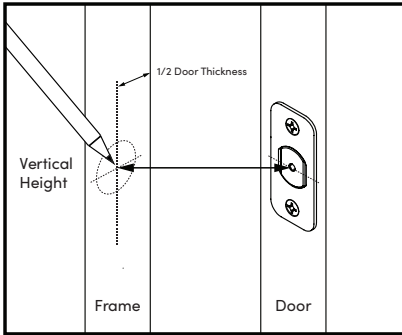
Rout the faceplate clearance to a depth of 1/8".

6 Set Latch Backset and Secure in Door



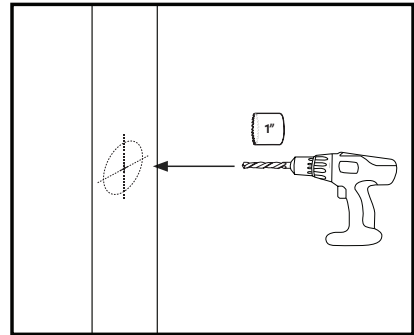
If required, increase the length of the deadbolt by twisting it before inserting into door. Secure deadbolt latch with 2x J screws. Optional - mark pilot hole locations for the two screws and drill 1/16" holes approximately 1" deep.

7 Mark Bolt Position on Door Frame



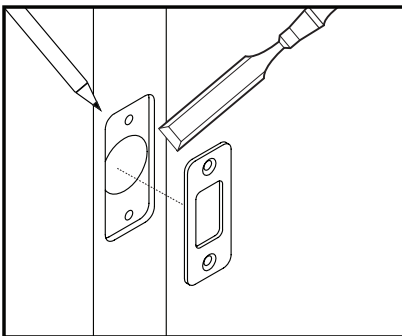
First use a pencil to transfer the vertical height of the bolt position onto the frame. Next, mark the distance from where the door stops on the frame to one half of the door thickness. The intersection of these two lines marks the center of the bolt.

8 Prep Door Frame for Bolt



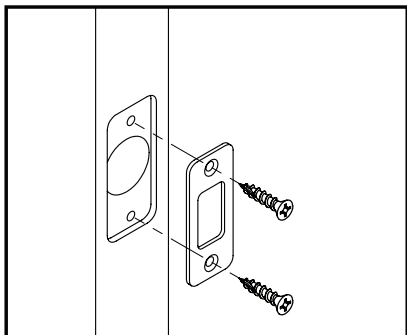
At the marked bolt center, drill a hole to a depth of 1" using the 1" hole saw. Be sure to hold the drill level and straight against the frame when drilling. Close the door and rotate the cam with a screwdriver to verify that the bolt extends fully into the strike hole. The bolt should operate smoothly, with low resistance.

9 Prep Door Frame for Strikeplate



Next, position the strikeplate to trace out the strikeplate relief area. Use a router or chisel and hammer to rout the marked rectangular area to a depth of 1/8".

10 Fasten strikeplate and check for bolt alignment



Attach the Strike Plate using 2x J Screws. Gently tighten the Screws with a Phillips Head Screwdriver. Then, close the door and use screwdriver to check for full bolt extension and retraction. Optional - mark pilot hole locations for the two screws and drill 1/16" holes approximately 1" deep.

11 Go to Retrofit Installation **Step 4**
"Assemble Keypad Body through Latch"

Features

PIN / Bluetooth Unlock



Biometric One-Touch Fingerprint Access

Register up to (20) fingerprints for low-friction, keyless access to your home.



Remotely Generated Pin Code Access

Create and share access from anywhere in the world with our patented algoPIN™ technology.



Custom Pin Code Access

Create and share custom 4 to 6 digit PIN codes via Bluetooth®, whose use can be set for one-time, duration, scheduled, or permanent access.



Owner and Guest Bluetooth® E-Keys

Using Bluetooth® technology, lock owner can use a mobile phone to gain access and create duration E-Keys to allow guest access.



Apple Watch Access

Using Bluetooth® technology, lock owner can use Apple Watch or Siri shortcuts to gain access.

Lock



Auto Unlock

Selectable feature which enables your mobile phone to automatically unlock your deadbolt upon approach to your home, using Bluetooth® and Geo-fencing technology. No need to remove your phone from your pocket!



Auto Lock

This selectable feature allows you to set your lock for automatic relock based on a time delay after unlock, to any value between 5 and 180 seconds.

Battery



Emergency Jumpstart

If your lock's batteries are depleted, you can use your phone or powerbank with a Type C cable to power the lock for access.



Battery Powered On-Board Time Clock

An included and replaceable CR2032 coin battery will power the on-board clock for a minimum of 5 years.

Features

Security / Alarms



Manual Relock Options

If you would rather lock your deadbolt manually, you can choose any of the following methods: a 1 second press of the Unlock button, touching an unregistered fingerprint to the sensor, Bluetooth® owner and E-Key credentials, Apple Watch/ Siri Shortcuts via Bluetooth®, or the physical rotation of the thumbturn or key.



Decoy PIN Code

Heighten security and throw off onlookers by entering random digits before your actual PIN code.



Tamper Alarm

The lock will sound an alarm if it is being pried from the door to alert and deter potential tampering efforts.



View Lock Activity Logs

View all lock access activity by credential used, and view the current battery life remaining in the IGH mobile app.



Security Lockout

Selectable feature which disables the keypad after several incorrect access attempts to ensure your property is always secure.



Physical Key Backup

You can always utilize the included (4) physical keys to access your home.

Others



Volume Control

Adjust the lock volume according to your preference. Select from levels 0 (mute) to 5 (loudest).



Integrations with 3rd Party Applications

Please see our **iglooconnect** Marketplace to choose from dozens of integrated services to maximize your deadbolt's capabilities.



Peripherals (Not included)

Connect your lock to Wi-Fi and Alexa via the igloohome EB-1 Bridge. Or, utilize our Bluetooth® enabled keypad or keyfob to customize your deadbolt access experience.

Audio and LED Indications

Actions	Indications
Bluetooth® Connection	'Unlock' icon flashes Blue
Successfully Unlocked	4 fast ascending tones after unlocked
Successfully Locked	1 long beep after Deadbolt is locked
Incorrect PIN	4 short beeps
Deleted PIN	3 sets of 4 short beeps
Obstruction Alarm	6 sets of 4 short beeps
Keypad Disabled Mode Activated	Very long beep
Keypad Disabled Mode Deactivated	2 short beeps
Keypad Security Lockout Alarm	Low-high siren for 30 / 60 / 90 seconds
Keypad Security Lockout Deactivated	2 long beeps
Low Battery Alert	3 fast descending tones when keypad is woken up
Tamper Alarm	Keep long beep
Hard Reset / Unpair	4 slow descending tones

Troubleshoot

FCC Compliance

This device complies with part 15 of the FCC Rules. Operation is subject to the following two conditions:

- (1) This device may not cause harmful interference.
- (2) this device must accept any interference received, including interference that may cause undesired operation.

Any Changes or modifications not expressly approved by the party responsible for compliance could void the user's authority to operate the equipment.

Note: This equipment has been tested and found to comply with the limits for a Class B digital device, pursuant to part 15 of the FCC Rules. These limits are designed to provide reasonable protection against harmful interference in a residential installation. This equipment generates uses and can radiate radio frequency energy and, if not installed and used in accordance with the instructions, may cause harmful interference to radio communications. However, there is no guarantee that interference will not occur in a particular installation.

If this equipment does cause harmful interference to radio or television reception, which can be determined by turning the equipment off and on, the user is encouraged to try to correct the interference by one or more of the following measures:

- Reorient or relocate the receiving antenna.
- Increase the separation between the equipment and receiver.
- Connect the equipment into an outlet on a circuit different from that to which the receiver is connected.
- Consult the dealer or an experienced radio/TV technician for help.

FCC Radiation Exposure Statement

This equipment complies with FCC radiation exposure limits set forth for an uncontrolled environment. This equipment should be installed and operated with minimum distance 20cm between the radiator & your body.

IC Caution

This device complies with Industry Canada's licence-exempt RSSs.

Operation is subject to the following two conditions:

- (1) This device may not cause interference.
- (2) This device must accept any interference, including interference that may cause undesired operation of the device.

This equipment complies with IC radiation exposure limits set forth for an uncontrolled environment. This equipment should be installed and operated with minimum distance 20cm between the radiator & your body.

Cet appareil est conforme aux CNR exemptes de licence d'Industrie Canada .
Son fonctionnement est soumis aux deux conditions suivantes :

- (1) Ce dispositif ne peut causer d'interférences ; et
- (2) Ce dispositif doit accepter toute interférence , y compris les interférences qui peuvent causer un mauvais fonctionnement de l'appareil.

Ce matériel est complété par une exposition de rayonnements IC pour un environnement naturel. Ce matériel doit être installé et se faire avec une distance minimale de 20cm entre les radiateurs et les autresYour body shop.
